

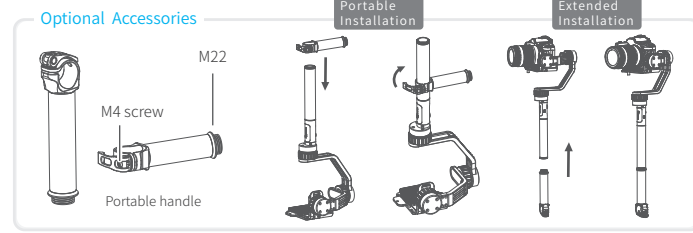
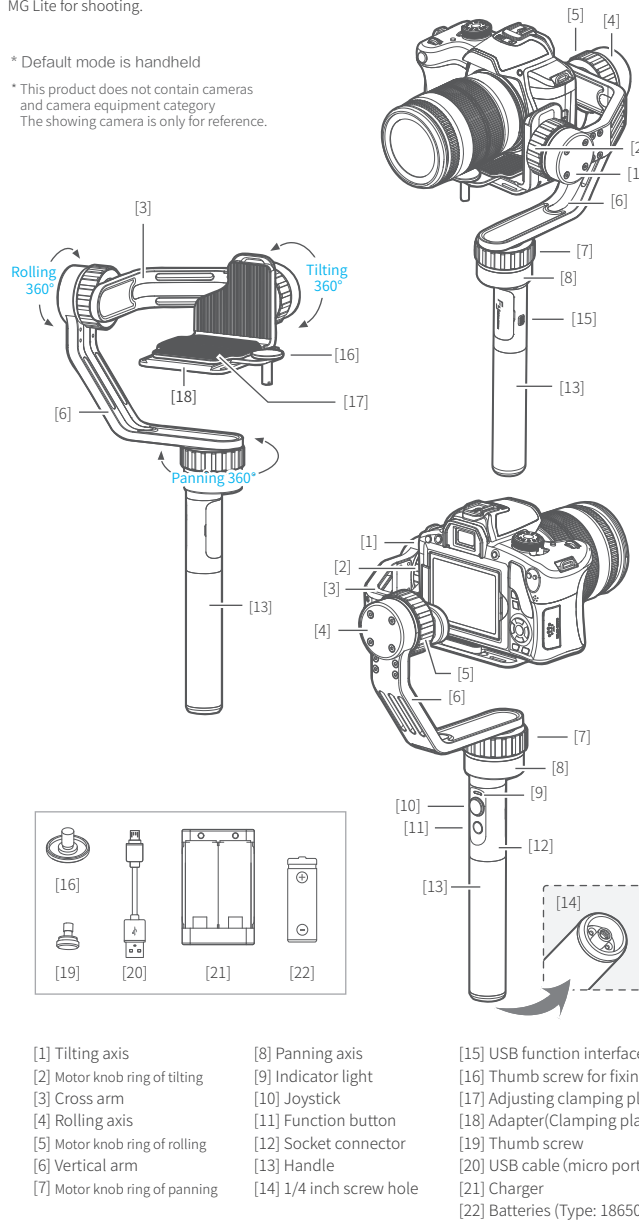
MG Lite

3-Axis Gimbal for Mirrorless Camera

1. Product Overview

MG Lite is one kind of 3-axis handheld gimbal especially for mirrorless cameras. Simple and clean design integrated strong operation function, easy to switch among more using ways. Panning / Tilting / Rolling 3-axis 360 degrees coverage, giving you ultimate experience while using the MG Lite for shooting.

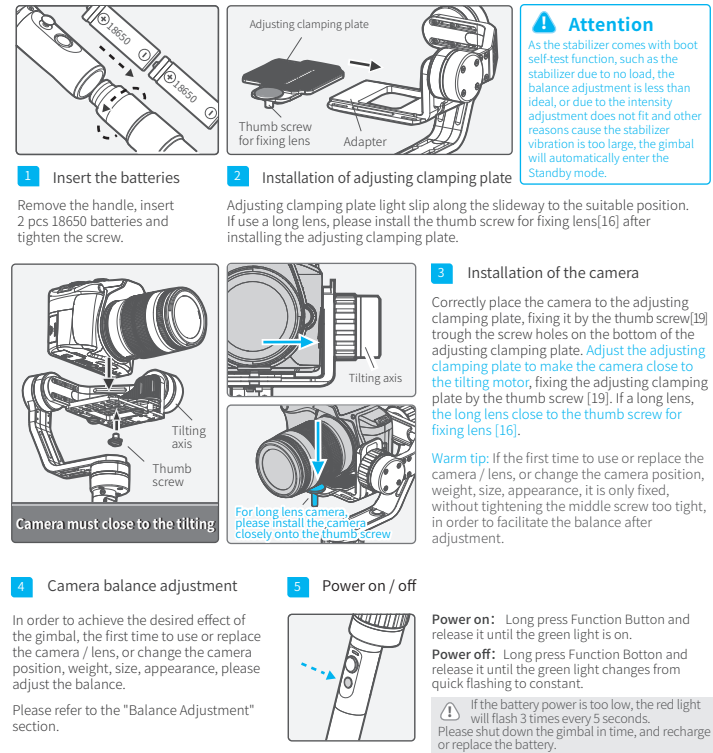
- * Default mode is handheld
- * This product does not contain cameras and camera equipment category. The showing camera is only for reference.



GuiLin FeiYu Technology Incorporated Company

2. Installation

Attention: Please complete the following instructions before power on the gimbal



3. Balance Adjustment

STEP 1 Balance adjustment of the tilting axis

(1) Adjust the center of gravity of the camera's vertical position in tilting axis

a. Mount the camera on the adjusting clamping plate, fix the tilting, rolling position, and keep it at the horizon level, and turn the lens down. Observe the camera status.

b. If the camera leans to front or back, then loosen the motor knob ring (shown at right), and adjust the camera to the opposite position, until the camera can mount properly.

c. Be sure to tighten the Motor knob ring after the adjustment (shown at right).

(2) Adjust the center of gravity of the camera's horizon position in tilting axis, after the adjustment of the center of gravity in vertical position.

a. The screws on the bottom of the adapter in a relaxed state. Fix the tilting, rolling position, and keep it at the horizon level. Make the camera lens forward. And observe the camera status.

b. If the camera leans to front or back, then move the camera to the opposite position, until the camera can mount properly.

c. After the adjustment tighten the screws on the adapter and the lens retaining ring.

5. Gimbal Horizontal Angle Adjustment (Initialize the gimbal)

The horizontal angle needs to be adjusted whenever the following situations happen to the gimbal:

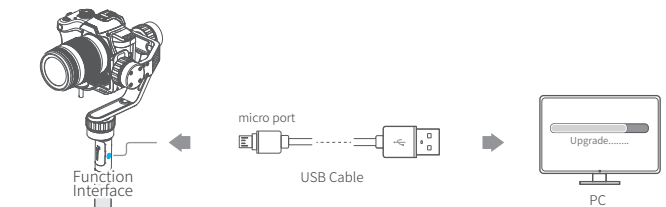
- (1) The tilt angle is not leveled with the horizontal surface.
- (2) The roll angle is not parallel to the horizontal surface.
- (3) Under lock mode, the panning angle drifts.

Adjusting steps:

- (1) In boot-up state, long press the Function Button until the red light flashes quickly to enter standby status, the blue light will flash 3 times periodically.
- (2) Lay the gimbal on a static flat surface and triple tap the Function Button. Initialization is successful when the blue light changes from constant on to flashing 3 times periodically.

When the initialization failed, the LED indicator will flash quickly, repeat step (2) to reinitialize.

6. Firmware Upgrade

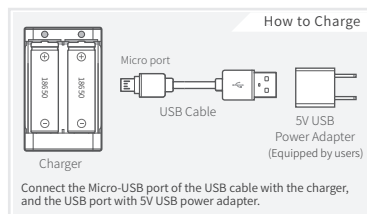


Upgrade steps

- (1) Please visit the official website www.feiyu-tech.com to download the relevant programs for upgrading, including USB drive program, firmware upgrade software and product firmware, and install the relevant software, decompress the firmware files for standby application.
- (2) Connect the USB cable with micro port as the above picture.
- (3) Please upgrade the relevant firmware according to the operation instructions of firmware upgrade software.

7. Parameters

| | |
|-----------------------------|---|
| Tilting / Rolling / Panning | 360° |
| Tilting Increments | 2°/s ~ 75°/s |
| Panning Increments | 3°/s ~ 150°/s |
| Usage Time | 6 Hours |
| Adaption | Sony NEX-5N/NEX-7 and other N-series, SONY ATR1 / ILCE-TR / ILCE-5100, Panasonic LUMIX GH4, Canon 5D Mark III (with standard lens), and other cameras with similar dimensions with weight less 1630g (The camera weight including the accessories of lens and ect.) |
| Weight | 887g (Not including the accessories of batteries, camera, camera lens and ect.) |



Package List

| Product model | Quantity | Product model | Quantity |
|-----------------------------|----------|------------------------|----------|
| MG Lite gimbal | 1 | USB cable (micro port) | 1 |
| Handle | 1 | Charger | 1 |
| Adjusting clamping plate | 1 | Batteries (type:18650) | 4 |
| Thumb screw for fixing lens | 1 | User manual | 1 |
| Thumb screw | 3 | Warranty card | 1 |

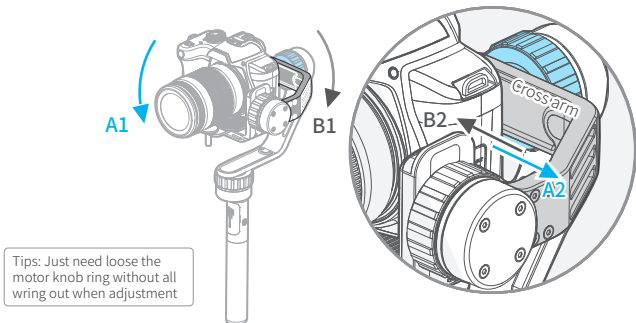
STEP 2 Balance adjustment of the rolling axis

Adjust the center of gravity of the camera's horizon position in rolling axis, after the adjustment of the center of gravity in tilting axis.

- Fix rolling position manually and keep the camera at the horizon level, leave hold of it and observe the camera status.
- If the camera leans to left or right, then loosen the motor knob ring (shown at below), and adjust the cross arm to the opposite position of the cross arm, until the camera keep the current position after adjustment.

As shown, if the camera is tilted toward A1, move the cross arm to A2 direction, if tilted toward B1, move the cross arm to B2 direction.

- Be sure to tighten the motor knob ring after the adjustment (shown at below).

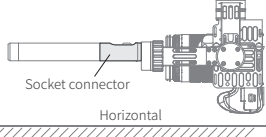


Tips: Just need loose the motor knob ring without all wring out when adjustment

STEP 3 Balance adjustment of the panning axis

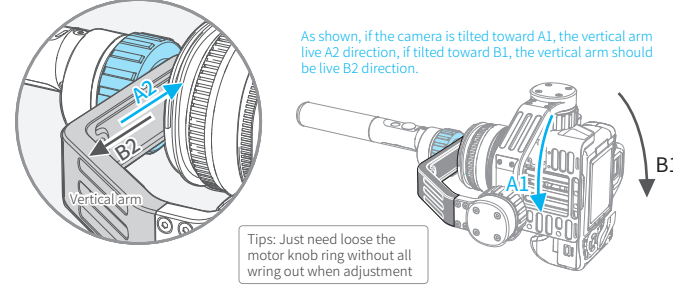
Adjust balance of the panning after the balance adjustment of the tilting and rolling.

- Keep the socket connector of the gimbal parallel to the ground, refer the right picture:leave hold of it and observe the camera status.



- If the camera leaning left or right, loosen the Motor knob ring (shown at below), adjust the vertical arm to leaning opposite direction, until the camera keep the current position after adjustment.

- Be sure to tighten the Motor knob ring after the adjustment (shown at below).



As shown, if the camera is tilted toward A1, the vertical arm live A2 direction, if tilted toward B1, the vertical arm should be live B2 direction.

Tips: Just need loose the motor knob ring without all wring out when adjustment

STEP 4 Camera adaptation parameter adjustment

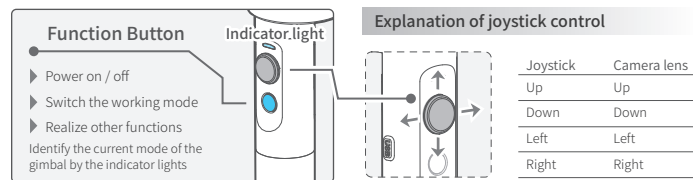
After finishing the stabilizer balance adjustment, turn on the gimbal for a testing, please refer to point 5 in "Installation" chapter.

If there is a slight vibration happen on the panning / rolling / tilting axis after power on the gimbal, it means the adaptation parameters needs to be adjusted.

Tips:

- (1) After power on, You can adjust the adaptation parameter of the corresponding axis while operation the function corresponding keys (as shown below). the led will keep flashing in the adjust mode.
- (2) If the panning axis / rolling roll / tilting axis from side to side, then move up the joystick to increase the adaptation parameter.
- (3) If the motor has felt the feeling of holding the handle, then move down the joystick to decrease the adaptation parameter.
- (4) After the shock rocker disappeared please release button and click Save function parameters.

4. Operation



Explanation of LED indicator status

| LED status | Mode / Status |
|------------------------------------|---|
| Blue light flashes once | Panning mode |
| Blue light flashes twice | Panning and Tilting mode |
| Blue light flashes for three times | Standby |
| Blue light constant on | Lock mode / Initialize the gimbal |
| Blue light keeps flashing | Initialization failure / Malfunction |
| Red light flashes three times | Low battery (please charge or change the batteries) |
| Red light keeps flashing | Entering standby / Entering power off |

Operating Instructions of Function Button

| Operation | Function | Explanation |
|--------------------------|---------------------------|--|
| Single tap | Panning mode / Lock mode | Single tap to switch between panning mode and lock mode |
| Double tap | Panning and Tilting mode | Under panning and tilting mode, single tap to switch to lock mode |
| Triple tap | Rotate 180° in horizontal | Make the camera lens rotate 180° |
| Quadruple tap | Reset | Reset the tilting axis of the gimbal to initial orientation and initial mode |
| Long press for 1 second | Standby | Single tap again to awake the gimbal, or triple tap to initialize the gimbal |
| Long press for 3 seconds | Power off | |

Working Modes

Panning Mode

The camera can move to left or right smoothly along with the handheld moving. The tilting and rolling directions fixed.

Panning and Tilting Mode

The camera can move to left or right and tilt up and down smoothly along with the handheld moving. The rolling directions fixed.

Lock Mode

The camera stays in its current orientation. The panning, tilting and rolling direction are all fixed.

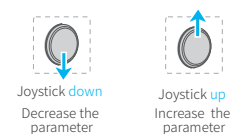
Other Functions

Reset

Reset the tilting axis of the gimbal to initial orientation and initial mode.

Standby

In standby model, keep the gimbal in power-up state, the motor stops working, the indicator light flashes for three times, and single tap again to wake the gimbal.



| Function Button | Adjusted Axis |
|----------------------------|-------------------------|
| Tap button for five times | adjust for panning axis |
| Tap button for six times | adjust for rolling axis |
| Tap button for seven times | adjust for tilting axis |

DISCLAIMER

Prohibit any user for any illegal purpose. Users will be responsible for all behaviors of purchase and use products.

The Company assumes no liability for any risks related to or resulting from the debug and use of this product (including the direct, indirect or third-party losses).

For any unknown sources of using, we will not be at any services.

You can get the latest user manual from the official website: www.feiyu-tech.com

Feiyu Tech reserves the right to amend this manual and the terms and conditions of use the gimbal at any time.

ATTENTION

- Please correctly assemble the gimbal in accordance with the diagram.
- Users will be responsible for all behaviors of purchase and use products.
- Please install the camera, complete the installation and balance adjustment before power on the gimbal.
- Please charge the battery with the standard charger.
- When the gimbal is not in use or placed on the table, please ensure it is powered off.



Please visit the official website of Feiyu Tech to get related information: www.feiyu-tech.com
Support email: service@feiyu-tech.com