

YETILINK[®]

EXPANSION MODULE

USER GUIDE

 | GOALZERO.

Table of Contents

Important Safety Instructions	1
Get To Know Your Gear	3
How It Works	5
Car Mode	6
How To Install	7
Charging Indicator Lights	9
Frequently Asked Questions	9
Technical Specifications	11



IMPORTANT SAFETY INSTRUCTIONS



Please save these instructions

Read all the instructions and cautions before beginning installation.

Do NOT disassemble or attempt to repair the module.

Do NOT allow water to enter the module, the Goal Zero Yeti Lithium, or the Goal Zero Yeti Tank.

Make sure all connections are tight and secure before using.

Do NOT exceed 22V input for the module; this can cause serious damage to the Yeti Lithium and potential bodily injury. Check specs for third party solar panels and lead acid batteries before attempting to use them with the module.

Do NOT chain third party solar panels or lead acid batteries in series (connecting positive to negative, positive to negative, etc.), as this can result in dangerously high levels of voltage that can cause serious damage to the Yeti Lithium and potential bodily injury.

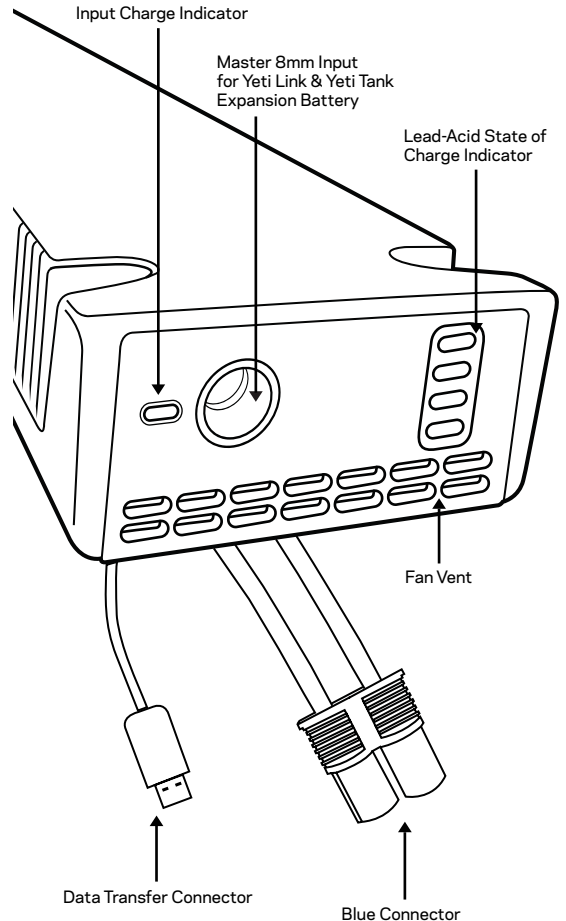
Compatible with Yeti 1000, 1400 and Yeti 3000 Lithium Power Stations

WARNING: Never connect a power source to the Yeti Link before installing into the Yeti. Always connect the Link to the Yeti before connecting any power source.

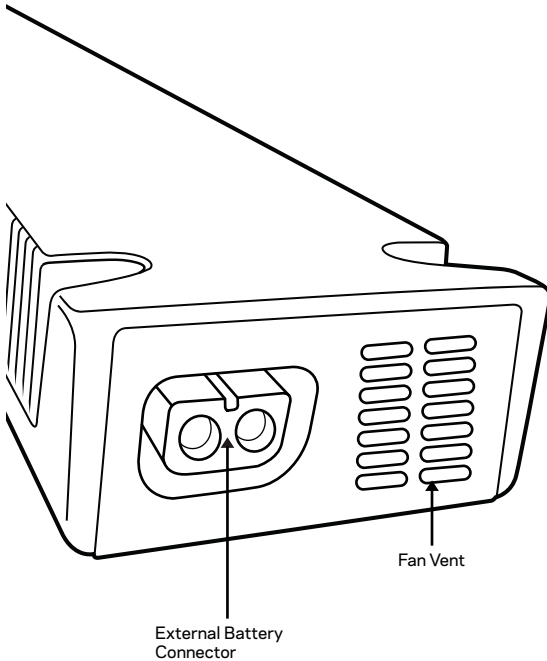
WARNING: Do not exceed 22V input for the Link. Doing so can cause serious damage to the Yeti and potential bodily injury. Take note of voltages when using third party solar panels or third party lead acid batteries with the module. Do not chain solar panels or lead acid batteries in series (positive to negative, positive to negative, etc.), as this can result in dangerously high voltages.

GET TO KNOW YOUR GEAR

Front of Link Expansion Module

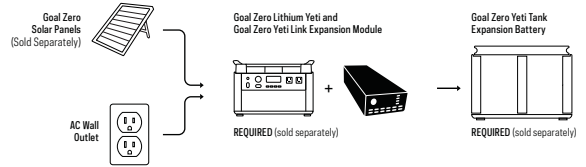


Back of Link Expansion module



HOW IT WORKS

The Goal Zero Yeti Link Expansion Module integrates with a Goal Zero Yeti Lithium Portable Power Station and Goal Zero Yeti Tank Expansion Battery to increase your energy storage capacity. The Link is a 65 Amp Lead-Acid to Lithium Charge Controller that allows you to chain lead-acid batteries to a Yeti Lithium power station.



CAR MODE

Quickly and easily recharge a Yeti Lithium (1000 or higher) from your vehicle while on the move. Charge rates vary from 25A - 50A (300W - 750W) depending on Yeti Lithium size and capacity.

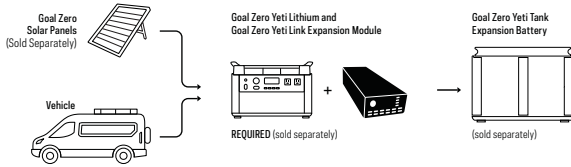
How it Works

When placed in "Car Mode," the Yeti Link allows your Yeti Lithium to safely pull power from your vehicle's alternator while the vehicle is running and stop pulling power when the vehicle is off.

NOTE: Yeti Link must be in Car Mode to utilize this feature or it will drain your vehicle's battery. All Links come standard set in "Tank Mode."

1. Once Link is installed in Yeti, switch Link from Tank Mode to Car Mode by pushing the pinhole reset button on top of the Link four times.
2. Indicator lights will turn on and blink together when the Link is successfully placed in Car Mode.
3. To switch back to Tank Mode, press pinhole reset button on top of the Link four more times. Indicator lights will scroll from bottom to top individually when the Link is successfully placed in Tank Mode. **NOTE:** Do NOT place back in Tank Mode while connected to your vehicle.

4. Connect your Yeti Lithium to your vehicle's battery using an EC8 Female to Ring Cable and an EC8 12' Extension Cable. The ring cable connects directly to your vehicle's 12V battery or alternator's +/- terminals and the extension cable connects the ring cable to the back of your Link.

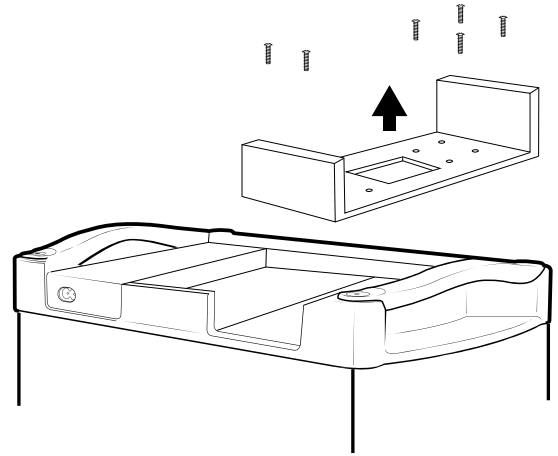


WARNING: Never connect a power source to the Link before installing into the Yeti. Always connect the Link to the Yeti before connecting any power source.

HOW TO INSTALL

Tools you'll need: Screwdriver

1. Turn off all the output ports and unplug the Yeti from any power source.



2. Open the lid of the Yeti and remove the expansion module carriage from the Yeti by removing the six screws and sliding out the carriage.
 - a. Use both hands to work the expansion module carriage out of its position.

WARNING: Do not exceed 22V input for the module. Doing so can cause serious damage to the Yeti and potential bodily injury. Take note of voltages when using third party solar panels with the module. Do not chain solar panels in series (positive to negative, positive to negative, etc.), as this can result in dangerously high voltages.

CHARGING INDICATOR LIGHT

Input Charge Indicator:

FLASHING BLUE - Power source is correctly plugged into 8mm input and charging.

BLUE - Lead-Acid battery is full.

Lead Acid State of Charge Indicator:

1 LED LIGHT - Lead-Acid battery is 25% full or less

2 LED LIGHTS - Lead-Acid battery is 25% - 50% full

3 LED LIGHTS - Lead-Acid battery is 50% - 75% full

ALL LED LIGHTS - Lead-Acid battery is 75% full or more

Error LED

FLASHING RED - Yeti is in an over voltage condition or lead acid battery is in an under voltage condition. Disconnect all Tank Cables from Link and Yeti and please call our solar experts at 888-794-6250.

NOTE

The 8mm input port on the Link is the only way to charge both the Yeti and Tank. Input ports on the Yeti display will only charge the Yeti, not the Tank.

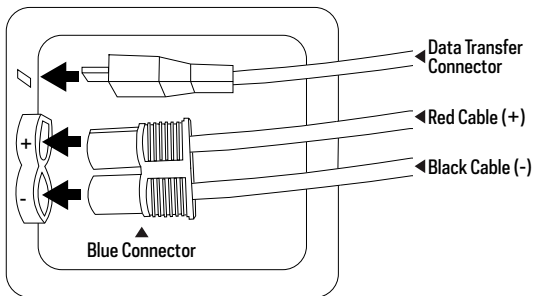
FREQUENTLY ASKED QUESTIONS

Q: I installed my Link into my Yeti, connected my batteries, and I'm not showing a charge. What's going on?

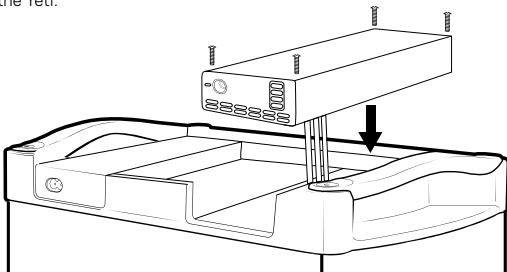
A: Upon initial installation, the Link needs time to identify which type of Yeti you own in order to maximize performance. It can take up to 30 seconds to start operating.

Q: I'm charging my Yeti and it is connected to one or more Tank batteries, but my Tank batteries are not filling up. What should I do?

A: First, make sure you are using the input on your Link to charge your system. This input is the only way to charge both your Tank(s) and Yeti at the same time. If you are using the correct input and still having a problem, try resetting by reinstalling your Link.



3. Take note of the positive and negative terminals on the Yeti's module port, as well as on the Link's blue connector. Insert the blue connector into the module port on the Yeti, matching positive to positive, negative to negative.
4. Insert the micro-USB connector on the Link into the micro-USB port on the Yeti.



5. Gently set the Link into place, tucking the cables into the opening.
6. Using the provided four screws, secure the Link into place.
7. Using the 8mm port, plug the power source into the Link.
8. Using the External Battery Connector, connect the Tank Expansion Battery (sold separately) to the Link.
9. When the power source is correctly plugged in, the Input Charge Indicator light will turn blue. When the Tank is correctly connected to the Link and the power source is plugged in, the Lead-Acid State of Charge Indicator light will begin flashing green. NOTE: Upon plug-in, all LEDs will turn on, then off before correct lights are displayed. This may take up to 30 seconds.
10. Power source will charge the Yeti first. When the Yeti is fully charged, power will begin to store in the Tank.

Q: Can I use third party, non-Goal Zero lead-acid batteries with the Link?

A: Yes, you can use any 12V SLA or AGM deep cycle lead acid battery with the Link. However, you will need a Goal Zero Female Link Chaining Cable to connect your batteries to the Link.

Q: If I'm using my own third party lead acid batteries, how do I wire them up?

A: When connecting multiple 12V lead-acid batteries to your Link, be sure to connect the batteries in parallel. Parallel connections will increase your current rating, but the voltage will stay the same.

WARNING: Connecting batteries in series will increase the voltage, causing damage to the unit and possible personal injury or death.

Q: How many lead acid batteries can I plug into the Link?

A: You can attach as many 12V lead-acid batteries to your Link as you'd like.

Q: How fast will the Link charge the Tank(s) using the Yeti power supply?

A: Plugging the Yeti power supply into your Link will provide 5A of power into your Tank. At this rate, it will take around 20 hours to charge each Tank.

Q: Why is my Link only charging my Yeti up to 98%?

A: The Link will only charge a first generation Yeti Lithium to 98%. This protection is in place to protect and prolong the life of your battery. Second generation Yeti Lithium power stations equipped with the latest firmware updates can be charged to 100%.

TECHNICAL SPECIFICATIONS

Yeti Link Expansion Module

65 Amp Charge Controller

Charges the following:

GOAL ZERO Yeti 1000 @ Max Input 454-605W

GOAL ZERO Yeti 1400 @ Max Input 454-750W

GOAL ZERO Yeti 3000 @ Max Input 750W

Ports: Do not exceed 22V Input

8mm Charging port 14 - 22V, Do not exceed 150W per port

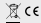
External Battery Connector (Output) 65A charge controller 10.7 - 15V

General:

Weight 1.5 lbs (680 g)

Dimensions 10.25 x 3.3 x 1.5 in (26 x 8.4 x 3.8 cm)

Warranty 12 months

Certs 

GOAL ZERO HEADQUARTERS

675 West 14600 South
Bluffdale, UT 84065
Designed in the U.S. A.
Made in China
1-888-794-6250

This equipment has been tested and found to comply with the limits for a Class B digital device, pursuant to part 15 of the FCC Rules. These limits are designed to provide reasonable protection against harmful interference in a residential installation. This equipment generates, uses and can radiate radio frequency energy and, if not installed and used in accordance with the instructions, may cause harmful interference to radio communications. However, there is no guarantee that interference will not occur in a particular installation. If this equipment does cause harmful interference to radio or television reception, which can be determined by turning the equipment off and on, the user is encouraged to try to correct the interference by one or more of the following measures:

- Reorient or relocate the receiving antenna.
- Increase the separation between the equipment and receiver.
- Connect the equipment into an outlet on a circuit different from that to which the receiver is connected.
- Consult the dealer or an experienced radio/TV technician for help.

This device complies with part 15 of the FCC Rules. Operation is subject to the following two conditions: (1) This device may not cause harmful interference, and (2) this device must accept any interference received, including interference that may cause undesired operation.